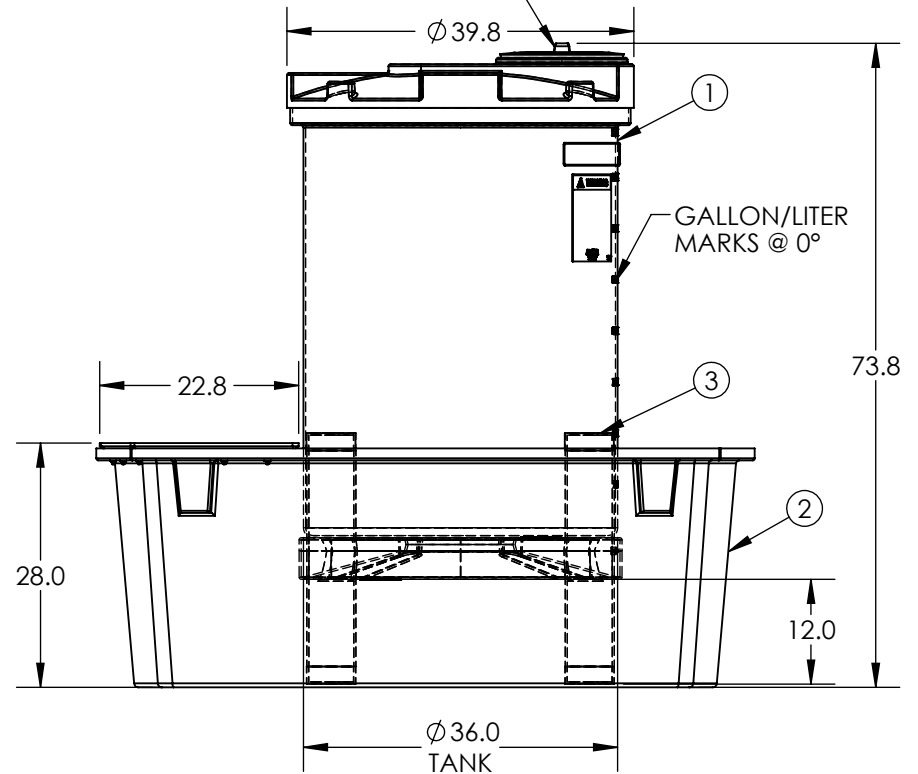



14" PE THREADED/VENTED  
MANWAY W/ 11-3/8" ACCESS



④ SHRINK WRAP NOT SHOWN

ITEM NO.	QTY.	PART NUMBER	DESCRIPTION
4	1	00000171	PROTECTIVE PLASTIC PACKAGING 200 - 850
3	1	1730000N97601	ASM STAND FLAT/CONE 36X12 HD/RED
2	1	1007900N97802	ASM CNT 390 HD/BLK W/SHELF
1	1	5720100N__01	ASM TK 200VNT X 36
DO NOT SCALE		DRAWN BY: SB	DATE: 07/01/2014
STATUS: Released		 <b>SNYDER INDUSTRIES, INC.</b>	
© SNYDER INDUSTRIES INC., 2014		4700 Fremont Street Lincoln, NE 68504 (402) 467-5221 <a href="http://www.snydernet.com">www.snydernet.com</a>	
TITLE: ASM TK 200VNT CHEMFED W/STND		REVISION: A	SHEET: 1 OF 1
PART NO. 5720104N		ENG. ID. D002298	

**\*ALL EXTERNAL PIPING MUST BE INDEPENDENTLY SUPPORTED.**  
**\*ONLY BASE FITTINGS TO BE LEFT INSTALLED AT TIME OF SHIPMENT PER SII PROCEDURE.**  
**\*Consult Snyder's Guidelines for Use and Installation prior to delivery.**  
 Available on-line at <http://www.snyderindustriestanks.com/Technical>  
**ALL DIMENSIONS ARE IN INCHES, NOMINAL, & SUBJECT TO CHANGE WITHOUT NOTICE.**  
**ALL DIMENSIONS ON ROTATIONAL MOLDED PARTS ARE SUBJECT TO A ± 3% TOLERANCE.**